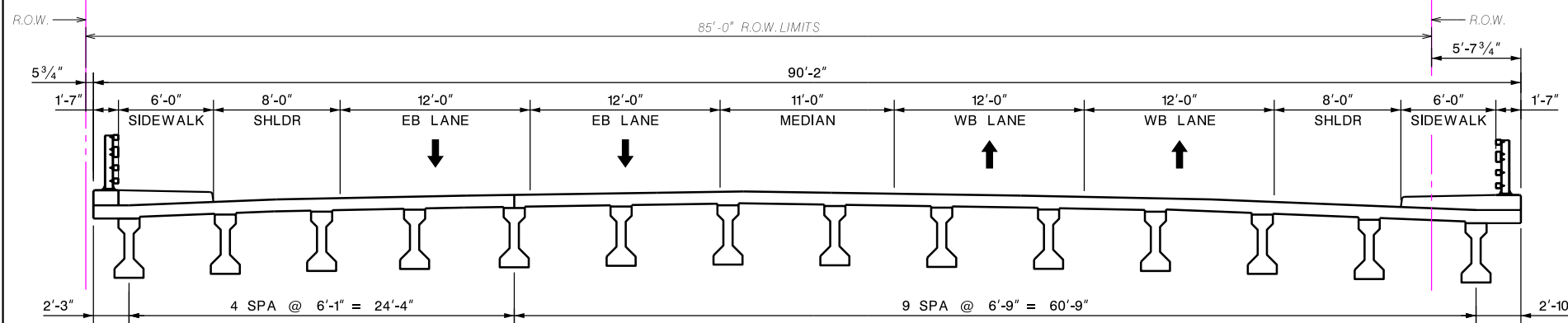
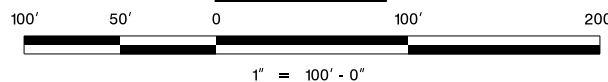
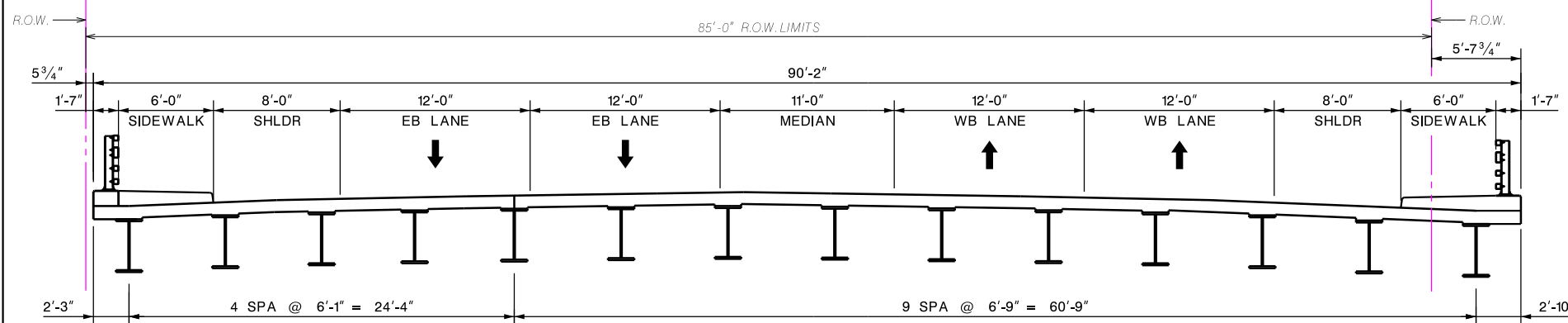


PLAN VIEW

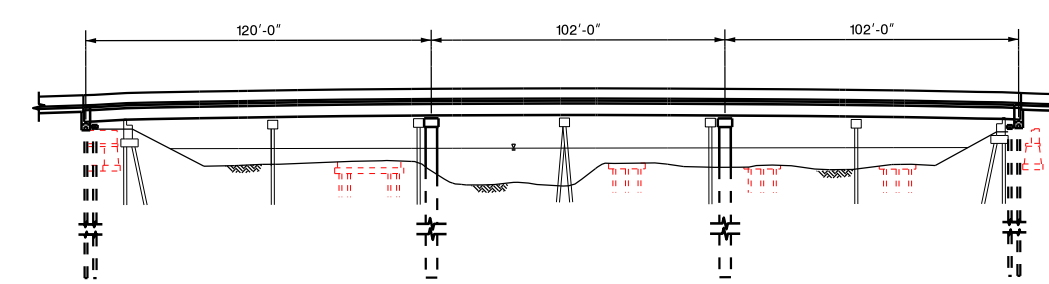


FINAL SECTION-PRESTRESSED CONCRETE BEAMS
(LOOKING WEST)
N.T.S.

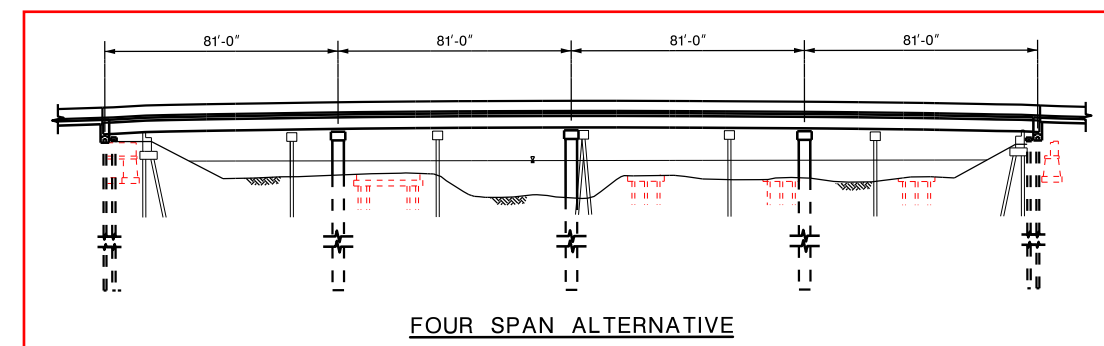


FINAL SECTION-STEEL BEAMS
(LOOKING WEST)
N.T.S.

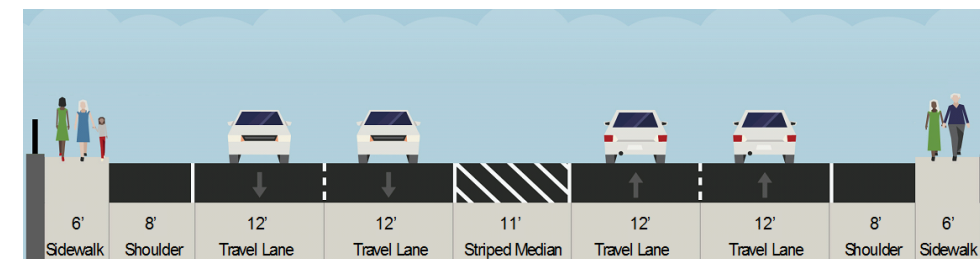
PRELIMINARY PREFERRED ALTERNATIVE



THREE SPAN ALTERNATIVE



FOUR SPAN ALTERNATIVE
ELEVATION VIEW
N.T.S.



	EXISTING R.O.W. LINE		PROPOSED BRIDGE
	EXISTING ABANDONED SWING BRIDGE		PROPOSED DRIVEWAY
	LIMIT OF DISTURBANCE		PROPOSED ROADWAY
	PROPOSED GUIDE RAIL		PROPOSED SIDEWALK